



**New G.M.T Sen.
Sec. Public School
Holidays
Homework
Class VIII
(Session 2024-25)**



PREFACE

Dear Parents and Students,

Summer vacation is around the corner, bringing with itself a much-needed respite from hectic school days. We hope that you will thoroughly enjoy the vacations and make the most of this summer. While it is indeed important that you relax and refresh yourselves, it is also important that you exercise your minds.

Keeping this in mind, we have designed various exciting activities to keep the students engaged and active during the summer vacation. These fun projects/ assignments would enhance learning skills, help understand concepts better, and make for a great crash course aimed at improving academic output.

These activities will not only help you to revise what was taught, but will also enrich your knowledge. These projects will be assessed as Subject Enrichment Activity, Portfolio or Art Integrated activity.

We encourage parents to motivate and support the students to ensure the given work is completed in time, to the best of their ability. Your support and encouragement both have a huge impact on your child's learning ability.

Wishing you a fun filled, safe summer vacation.

General tasks :

1. Make a food vlog by making any dish with the help of your mother.
2. Make a travel vlog of your family trip during summer vacation
3. Make a short video of any of your hidden talent.
4. Make something useful article out of the waste material.
5. Make a short motivational video.

Note: Students are supposed to send the videos on personal windows of their class incharge.

Best short listed videos will be uploaded on school's official social media handle.

Your creativity and innovation are welcomed

ENJOY YOUR SUMMER VACATION HAVE A FRUITFUL LEARNING!

General Instructions

The Holiday Homework must be done in a very neat and presentable manner.

Do all the work under the guidance of your parents and guardians.

Do all the work with date and day.

Work must be done in given sequence.

The student will be assessed for the presentation, neatness and timely submission of all the given work

English

Project Work:

Prepare beautiful charts along with pictures pasted on it, according to your roll numbers :

Roll no 1-6 (Simple Present Tense with appropriate examples)

Roll no 7-12 (Subject and Predicate)

Roll no 13-18 (Adjectives and degree of comparison)

Roll no 19-24 (Pronouns and its Kinds)

Roll no 25 onwards (Present Continuous Tense with appropriate examples)

Social Science:

- 1. Task:-** a) Prepare a chart, writing 'The Preamble' in the attractive manner.
(Roll No 1-18)
b) Make a chart on Political Parties with their symbols.
(Roll No 19 onwards)
- 2. Prepare an art integrated file on following topics**
 1. Tourist attractions of Punjab and Odisha.
 2. Climate
 3. Wildlife

Mathematics:

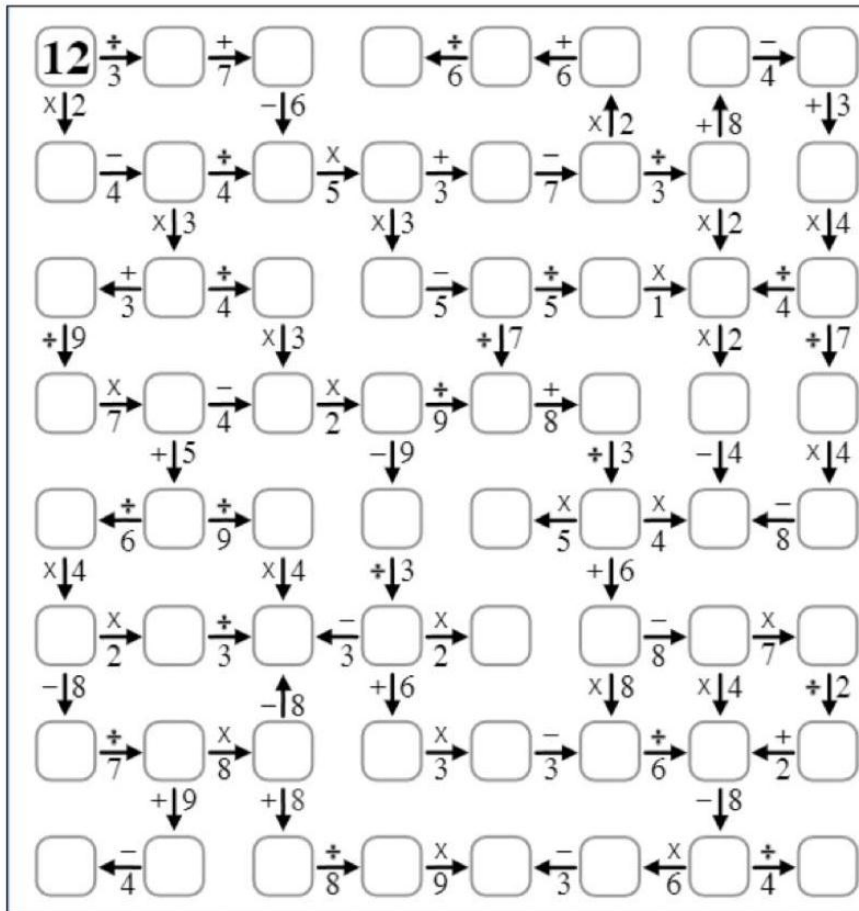
Art integrated projects

1. Make a chart for:
 - a) Laws of Exponents and Powers
 - b) Properties of rational numbers
(Size of each word 4 to 5 inches.) (Roll no.1 to 8)
2. Choose any 2 popular sports tourist destination of the world & complete the following:
 - a) Make a bar graph to show their monthly tourism turnover in 2023
 - b) On the basis of the bar graph find out when it is maximum & minimum.
 - c) With the help of the pie chart illustrate the various forms of tourism menace faced there. (Roll no. 8 to 16)
3. Make a chart form:
 - a) Square and square roots.
 - b) Cube and cube roots

For Example: Square of 8 is 64. Cube of 8 is 512.
Square root of 64 is 8. Cube root of 512 is 8.

(Size of each word 4 to 5 inches.) (Roll no.17 to 24)

4. Take a print out of below chart then solve it.(Roll no.25 onwards)



ACTIVITY 2:

Science

- Revise chapter:-

1. Crop production and management
2. Microorganisms - Friend and Foe for pre - mid Term Exams thoroughly.

Notebook completion:-

- Complete your notebook in the following aspects:-

- a) Intext questions of chapter -1,2
- b) Textual questions of chapter -1,2

Activity:-

(a) Perform an activity of 'Composting'. Take different biodegradable materials (wastage of plants ,fruit peels, vegetable peels) and compare their rate of composting.



(b) Make a beautiful chart or on a A4 size sheet, picture of any landscape using the following materials / Link:-

(<https://youtu.be/7laYSv1ZObk?si=z0l-Kt5IyYeuFT3A>)

- i) water
- ii) detergent
- iii) vinegar
- iv) turmeric
- v) 2 glass
- vi) small piece of cotton cloth

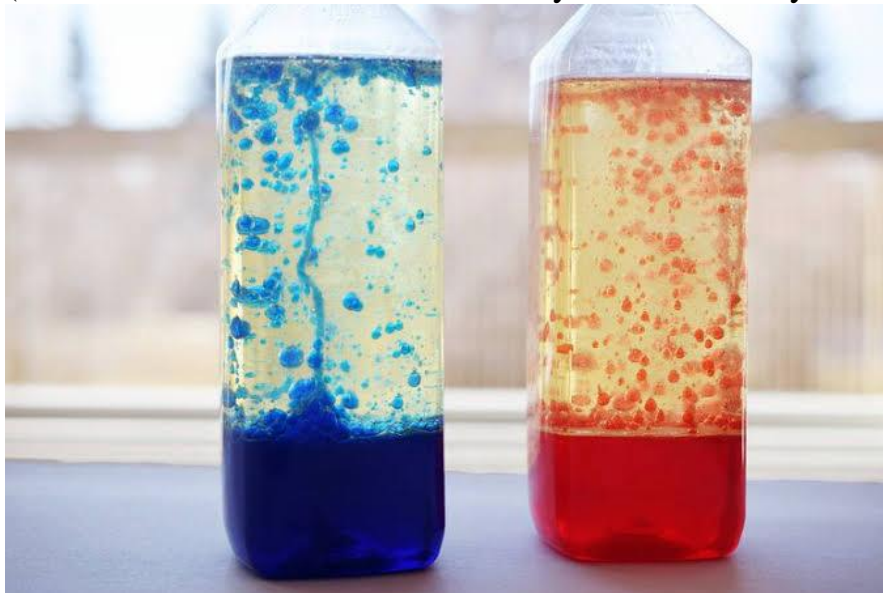
OR

Make a lava lamp using following materials/ link:

(<https://youtu.be/XdqskRZqZ2Y?si=sJMuPso8TP2y2Cmv>)

2 glass, baking soda, vinegar, any water/ poster colour.

(Make a short video on above activity and send it to your subject teacher)



Hindi

Task :-

घर में पड़ी हुई बेकार चीजों से कोई उपयोगी या सजावटी वस्तु बनाएं।



क्रियात्मक कार्य (Art Integrated Activity)

संज्ञा और उसके भेदों का वर्णन चित्रों के माध्यम से चार्ट पर करें।



Punjabi

* ਪੜਨਾਂਵ ਦੀ ਪਰਿਭਾਸ਼ਾ ਅਤੇ ਉਸ ਦੀਆਂ ਕਿਸਮਾਂ ਨੂੰ ਦਰਸਾਉਂਦਾ ਹੋਇਆ ਇਕ ਚਾਰਟ ਤਿਆਰ ਕਰੋ।
ਅੱਖਰਾਂ ਦੀ ਬਣਤਰ -ਲੰਬਾਈ 6 ਸੈਂਟੀਮੀਟਰ ਚੌੜਾਈ ਚਾਰ ਸੈਂਟੀਮੀਟਰ ਘੱਟ ਤੋਂ ਘੱਟ ਹੋਵੇ।

Task:

- * ਗਿੱਧੇ ਨਾਲ ਸੰਬੰਧਿਤ ਬੋਲੀਆਂ ਗਾ ਕੇ ਇਕ ਰੀਲ ਤਿਆਰ ਕਰੋ। (ਲੜਕੀਆਂ ਲਈ)
- * ਭੰਗੜੇ ਨਾਲ ਸੰਬੰਧਿਤ ਬੋਲੀਆਂ ਗਾ ਕੇ ਇੱਕ ਰੀਲ ਤਿਆਰ ਕਰੋ। (ਲੜਕਿਆਂ ਲਈ)
- * ਪਾਠ ਇਕ, ਦੋ, ਤਿਨ ਅਭਿਆਸ ਸਹਿਤ ਕਾਪੀ ਵਿੱਚ ਯਾਦ ਕਰਕੇ ਲਿਖੋ।
- *ਆਪਣੇ ਸ਼ਹਿਰ ਦੇ ਨਗਰ ਪਾਲਿਕਾ ਦੇ ਪ੍ਰਧਾਨ ਨੂੰ ਪੱਤਰ ਲਿਖ ਕੇ ਆਪਣੇ ਮੁਹੱਲੇ ਦੀ ਮੰਦੀ ਹਾਲਤ ਤੋਂ ਜਾਣੂੰ ਕਰਵਾਓ। ਇਹ ਪੱਤਰ ਇੱਕ ਕਾਪੀ ਵਿੱਚ ਲਿਖੋ।